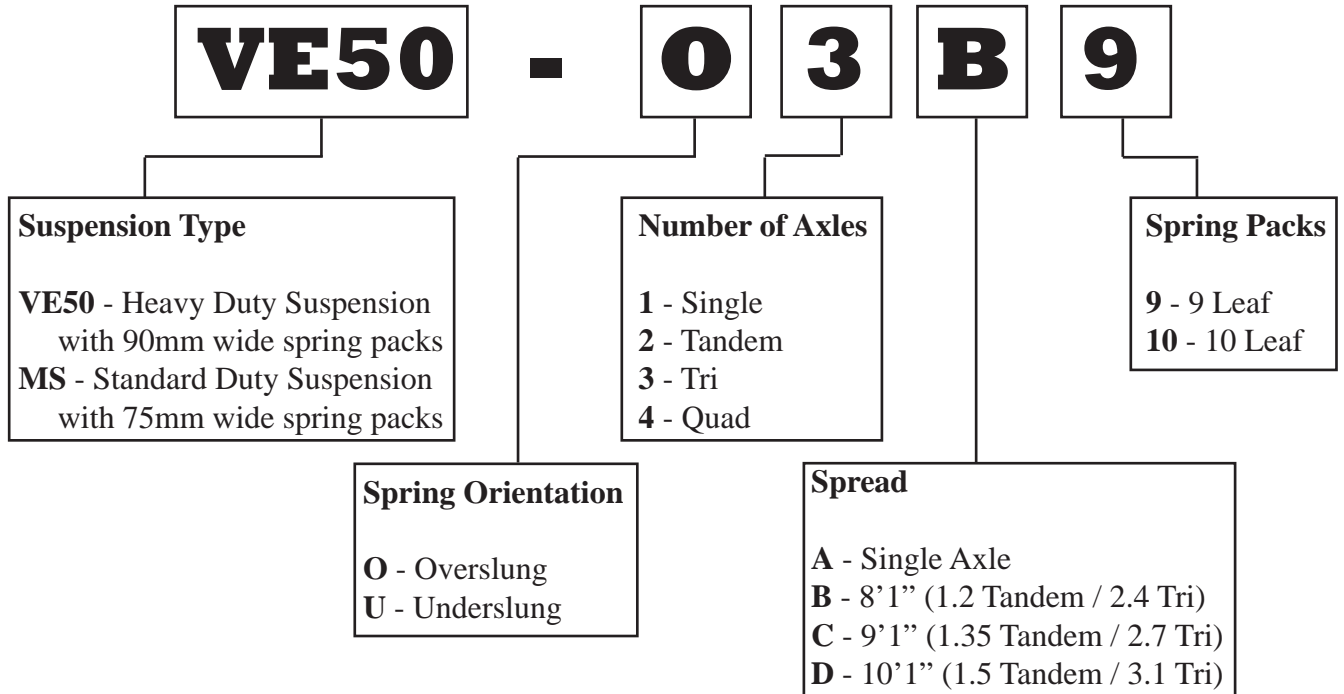
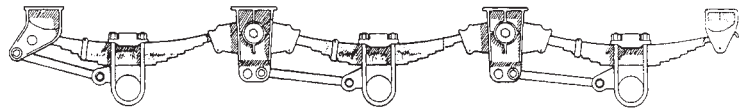
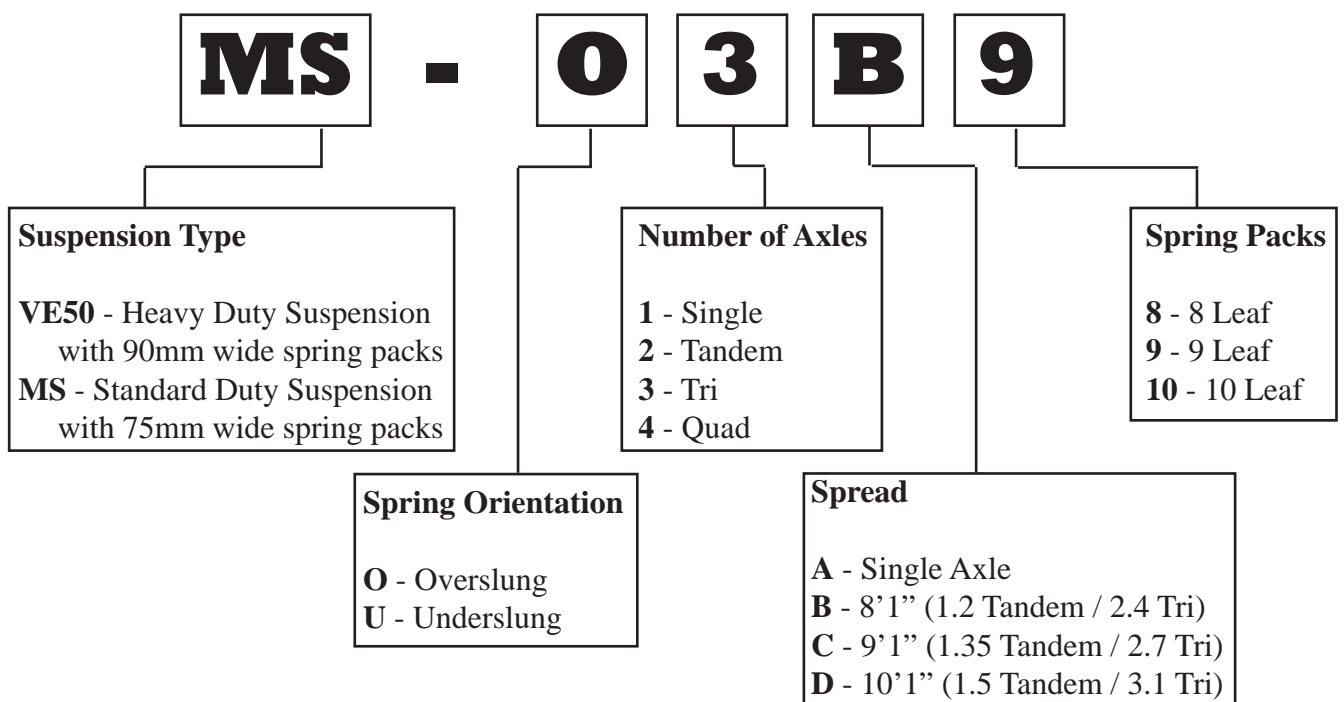
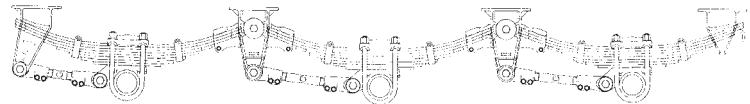


Trailer Sales Mechanical Suspension Codes

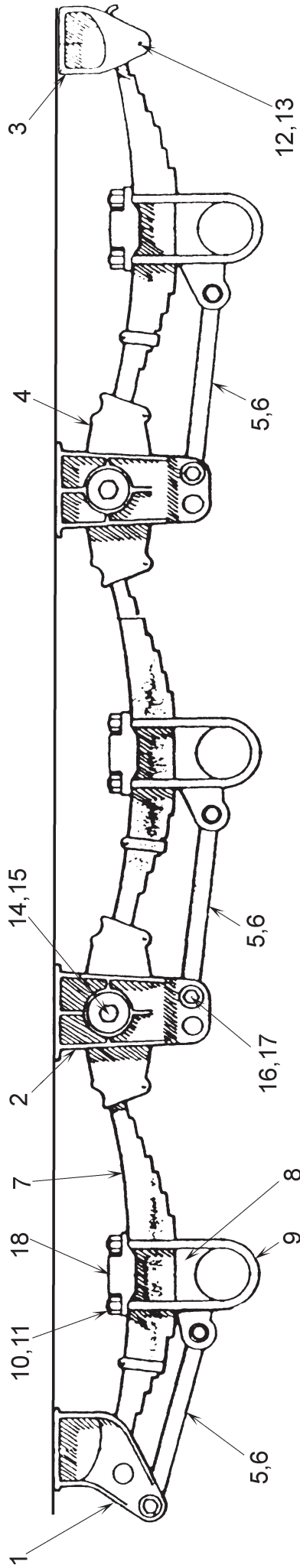
Freighter VE50 Suspensions (90mm wide spring packs)



Proparts Suspensions (75mm wide spring packs)

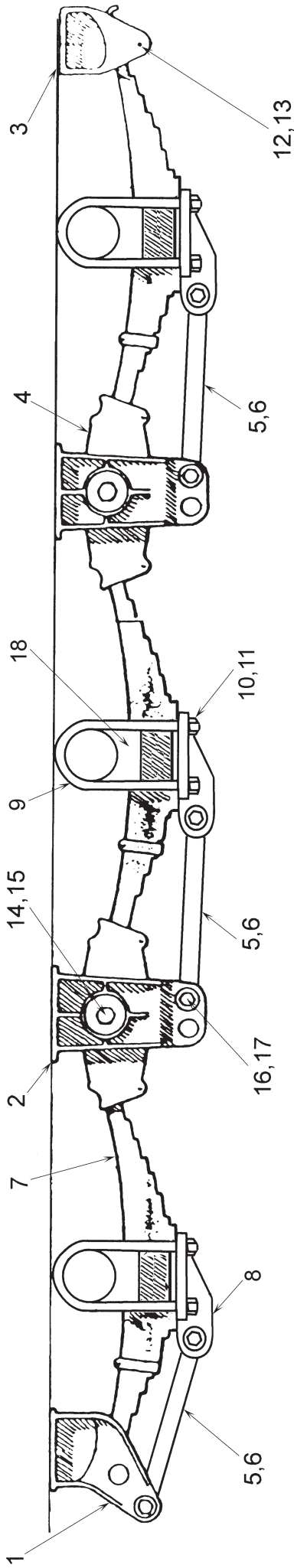


Freighter VE50 Overslung Suspension



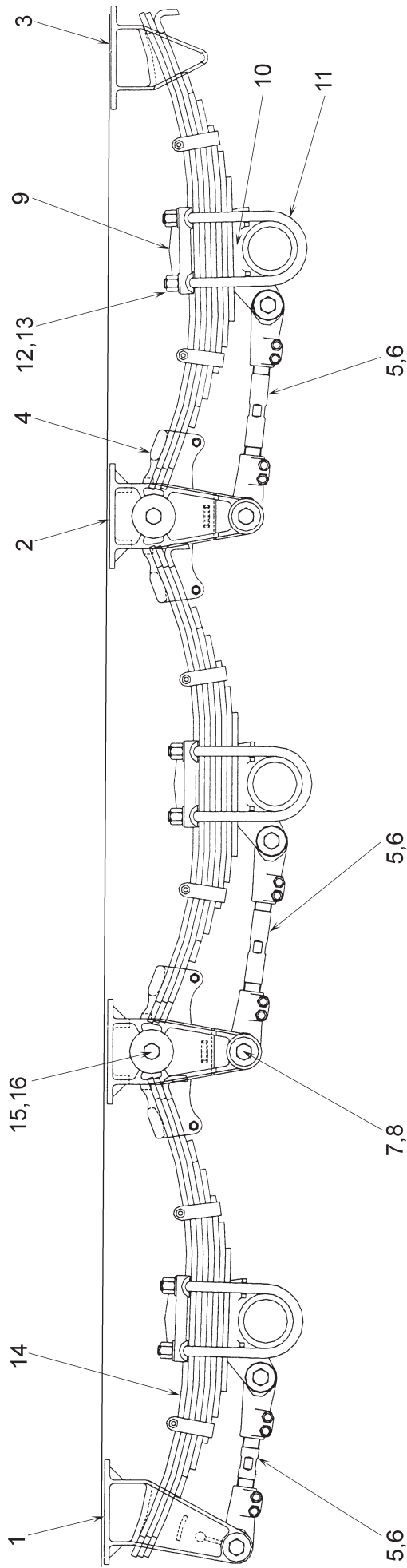
Item	Part Number	Description	Item	Part Number	Description
1	237-00443	Front Hanger	7	203-02150	10 Leaf Spring Pack
2	237-00444	Equaliser Hanger (Centre)		203-01453	9 Leaf Spring Pack
3	237-00445	Rear Hanger	8	161-07021	3 Leaf Spring Pack
4	FQ1156	Equaliser Rocker suit 8'1" Spread	9	237-00447	Axle Saddle / Spring Seat
	FQ1166	Equaliser Rocker suit 9'1" Spread	10	FQ8120	U Bolt 12" x 5" x 3/4"
	FQ1175	Equaliser Rocker suit 10'1" Spread	11	FQ1458	U Bolt Washer 3/4"
5	237-00456	Fixed Torque Rod - 432mm Ctrs suit 8'1" (Also used on front axle of 9'1" & 10'1")	12	FQ1459	U Bolt Nut 3/4"
	237-00455	Fixed Torque Rod - 505mm Ctrs suit 9'1"	13	FQ0153-18	Bolt 5/8" UNF x 5 1/2"
	203-02542	Fixed Torque Rod - 600mm Ctrs suit 10'1"	14	FQ0158	Nut 5/8" UNF Nyloc
6	FQ1375	L/H End suit Adjustable Torque Rod	15	FQ1201	Equaliser Pin
	FQ1376	R/H End suit Adjustable Torque Rod	16	FQ1101	Equaliser Bushes
	FQ1362	Adjustable Screw suit 8'1" Spread (Also used on front axle of 9'1" & 10'1")	17	FQ1401	Torque Rod Bolt
	FQ1364	Adjustable Screw suit 9'1" Spread	18	FQ1301	Torque Rod Bushes
	FQ1366	Adjustable Screw suit 10'1" Spread		237-00329	U Bolt Plate

Freighter VE50 Underslung Suspension



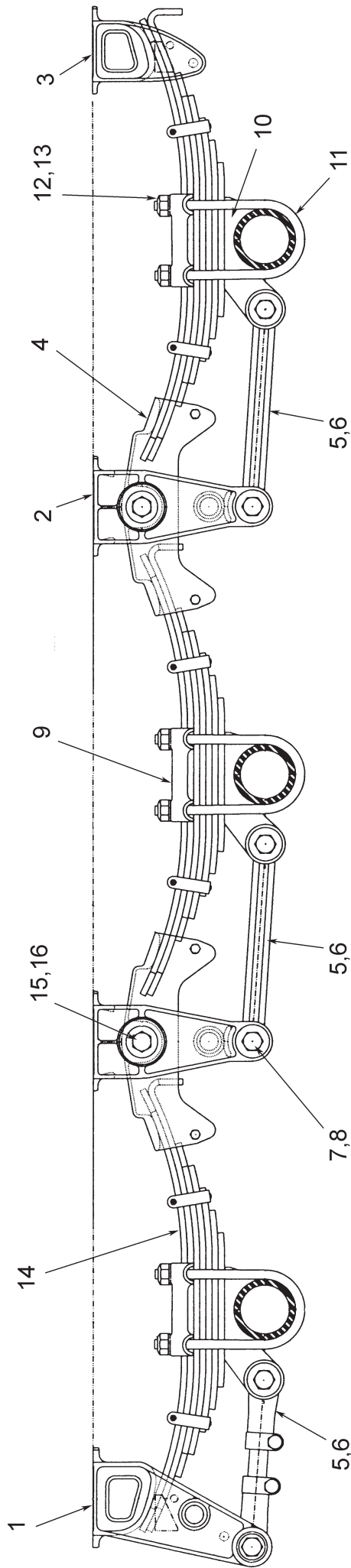
Item	Part Number	Description	Item	Part Number	Description
1	237-00443	Front Hanger	7	203-02150	10 Leaf Spring Pack
2	237-00444	Equaliser Hanger (Centre)		203-01453	9 Leaf Spring Pack
3	237-00445	Rear Hanger	8	161-07021	3 Leaf Spring Pack
4	FQ1156	Equaliser Rocker suit 8'1" Spread	9	237-00459	Torque Rod Bracket / Spring Seat
	FQ1166	Equaliser Rocker suit 9'1" Spread	10	FQ8120	U Bolt 12" x 5" x 3/4"
	FQ1175	Equaliser Rocker suit 10'1" Spread	11	FQ1458	U Bolt Washer 3/4"
5	237-00456	Fixed Torque Rod - 432mm Ctrs suit 8'1" (Also used on front axle of 9'1" & 10'1")	12	FQ0153-18	U Bolt Nut 3/4"
	237-00455	Fixed Torque Rod - 505mm Ctrs suit 9'1"	13	FQ0158	Bolt 5/8" UNF x 5 1/2"
	203-02542	Fixed Torque Rod - 600mm Ctrs suit 10'1"	14	FQ1201	Nut 5/8" UNF Nyloc
6	FQ1375	L/H End suit Adjustable Torque Rod	15	FQ1101	Equaliser Pin
	FQ1376	R/H End suit Adjustable Torque Rod	16	FQ1401	Equaliser Bushes
	FQ1362	Adjustable Screw suit 8'1" Spread (Also used on front axle of 9'1" & 10'1")	17	FQ1301	Torque Rod Bolt
	FQ1364	Adjustable Screw suit 9'1" Spread	18	237-00407	Torque Rod Bushes
	FQ1366	Adjustable Screw suit 10'1" Spread			Axle Saddle

York, Mateco, Sinclair Overslung Suspension



Item	Part Number	Description	Item	Part Number	Description
1	SF0022	Front Hanger	7	FQ1368	Adjustable Screw suit 10'1" Spread
2	SF0026	Equaliser Hanger suit 8'1" & 9'1"	8	FQ1401	Torque Rod Bolt
3	SF0032	Equaliser Hanger suit 10'1"	9	FQ1301	Torque Rod Bushes
4	SF0001	Rear Hanger	10	SF0003	Spring Top Plate
5	FQ1151	Equaliser Rocker suit 8'1" Spread	11	SF0027	Axle Saddle
	FQ1162	Equaliser Rocker suit 9'1" Spread	12	FQ8155	U Bolt 14" x 5" x 7/8"
	FQ1171	Equaliser Rocker suit 10'1" Spread	13	FQ1456	U Bolt Washer 7/8"
	SF0029	Fixed Torque Rod - 395mm Ctrs - Front Axle	14	FQ1457	U Bolt Nut 7/8"
	SF0028	Fixed Torque Rod - 495mm Ctrs - 8'1"		FQ1470	10 Leaf Spring Pack
	SF0031	Fixed Torque Rod - 565mm Ctrs - 9'1"		FQ1475	9 Leaf Spring Pack
	SF0030	Fixed Torque Rod - 470mm Ctrs - 10'1"		FQ1474	8 Leaf Spring Pack
6	FQ1373	L/H End suit Adjustable Torque Rod		787520	3 Leaf Spring Pack
	FQ1374	R/H End suit Adjustable Torque Rod	15	FQ1201	Equaliser Pin
	FQ1367	Adjustable Screw suit Front Axle	16	FQ1101	Equaliser Bushes
	FQ1369	Adjustable Screw suit 8'1" Spread			
	FQ1372	Adjustable Screw suit 9'1" Spread			

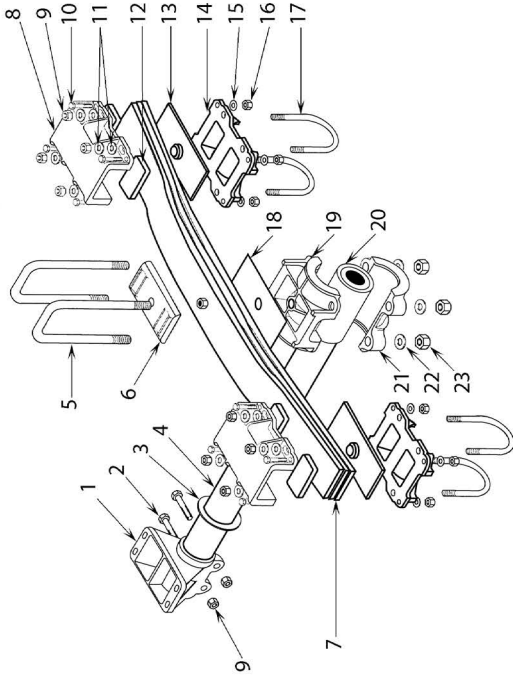
Reyco 21B Suspension



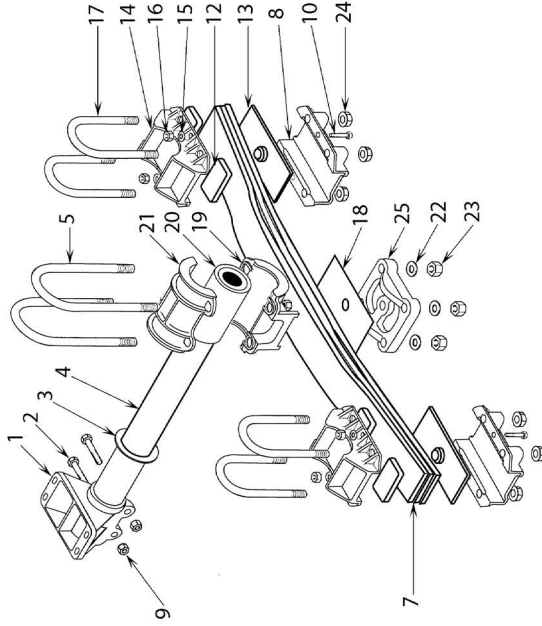
Item	Part Number	Description	Item	Part Number	Description
1	SF0054	Front Hanger	9	SF0003	Spring Top Plate
2	SF0056	Equaliser Hanger	10	SF0057	Axle Saddle
3	SF0055	Rear Hanger	11	FQ8155	U Bolt 14" x 5" x 7/8"
4	FQ1155	Equaliser Rocker	12	FQ1456	U Bolt Washer 7/8"
5	T7635	Fixed Torque Rod - 412mm Ctrs suit Front Axle	13	FQ1457	U Bolt Nut 7/8"
	T2293	Fixed Torque Rod - 480mm Ctrs suit Centre & Rear Axle	14	FQ1474	8 Leaf Spring Pack
6	SF0058L	L/H End suit Adjustable Torque Rod		0079-01	3 Leaf Spring Pack - Hi Arch - Front & Rear
	SF0058R	R/H End suit Adjustable Torque Rod		0329-00	3 Leaf Spring Pack - Hi Arch - Centre
	FQ1367	Adjustable Rod Screw suit Front Axle		0079-02	3 Leaf Spring Pack - Low Arch - Front & Rear
	FQ1368	Adjustable Rod Screw suit Centre & Rear Axle		0335-00	3 Leaf Spring Pack - Low Arch - Centre
7	FQ1415	Torque Rod Bolt	15	FQ1210	Equaliser Pin
8	FQ1311	Torque Rod Bushes	16	FQ1110	Equaliser Bushes

Hutch H900 Single Point Suspension

Overslung Trunnion — Overslung Axle



Underslung Trunnion — Underslung Axle



Item	Part Number	Description	Item	Part Number	Description
1	161-08017	Trunnion Hanger - 64mm High	14	161-08023	Spring Seat - Underslung
2	161-08020	Trunnion Hanger - 216mm High - Optional	15	161-08033	Spring Seat - Overslung
3	FQ0154-14	Hex Bolt 3/4" UNF x 4 1/2"	16	FQ0171	Washer 5/8"
4	161-08015	Washer - Trunnion	17	FQ0158	Nut - Nylock - 5/8" UNF
5	161-08018	Tube - Trunnion	19	FQ8165	U Bolt - Axle - 10 1/2" x 5" x 1" - Underslung
6	161-08010	U Bolts - Trunnion - 14" x 5" x 1 1/8" - O/S	20	FQ8115	U Bolt - Axle - 7 1/2" x 5" x 3/4" - Overslung
7	161-08027	U Bolts - Trunnion - 15" x 5" x 1 1/8" - U/S	19	161-08008	Trunnion Hub - Upper - O/S or Lower - U/S
8	161-08007	Top Plate - Overslung	20	161-08014	Trunnion Bush - Rubber
9	161-08013	Spring Assembly - 50,000 LB.	21	161-08014U	Trunnion Bush - Urethane
10	161-08002	Spring End Cap - Overslung	22	161-08009	Trunnion Hub - Lower - O/S or Upper - U/S
11	161-08031	Spring End Cap - Underslung	23	161-08012	U Bolt Washer - 1 1/8" suit Trunnion U Bolts
12	FQ1459	U Bolt Nut - 3/4" suit Overslung Axle	24	FQ1460	U Bolt Nut - 1 1/8" suit Trunnion U Bolts
13	FQ0153-4	Bolt - 5/8" UNF x 2"	24	FQ1263	U Bolt Flange Nut - 1" suit Underslung Axle U Bolts
	FQ1458	U Bolt Washer 3/4" suit Overslung Axle	25	161-08025	Spring Clamp Plate
	161-08003	Rubber Pad			
	161-08029	Adjustment Plate			