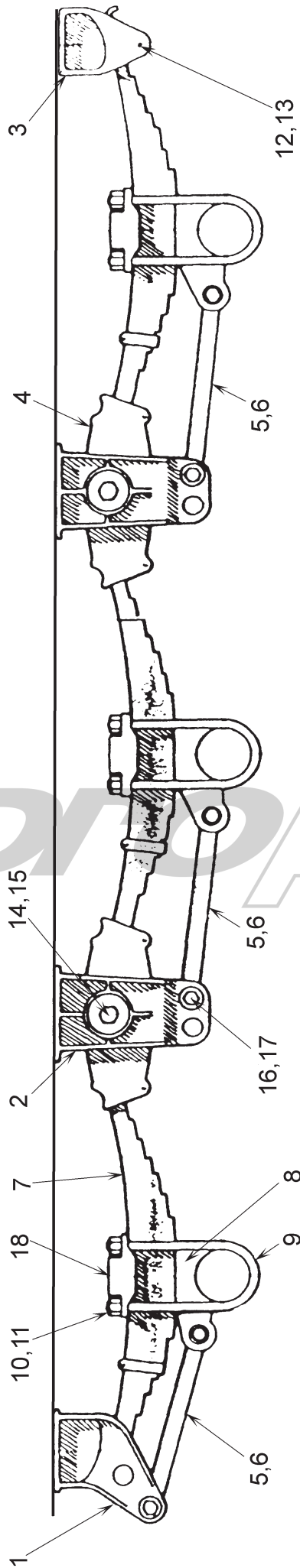
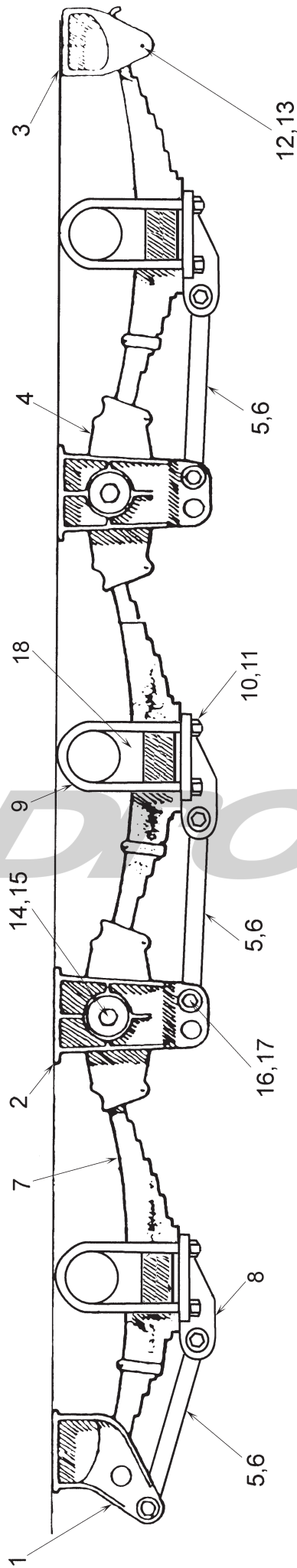


# Freighter VE50 Overslung Suspension



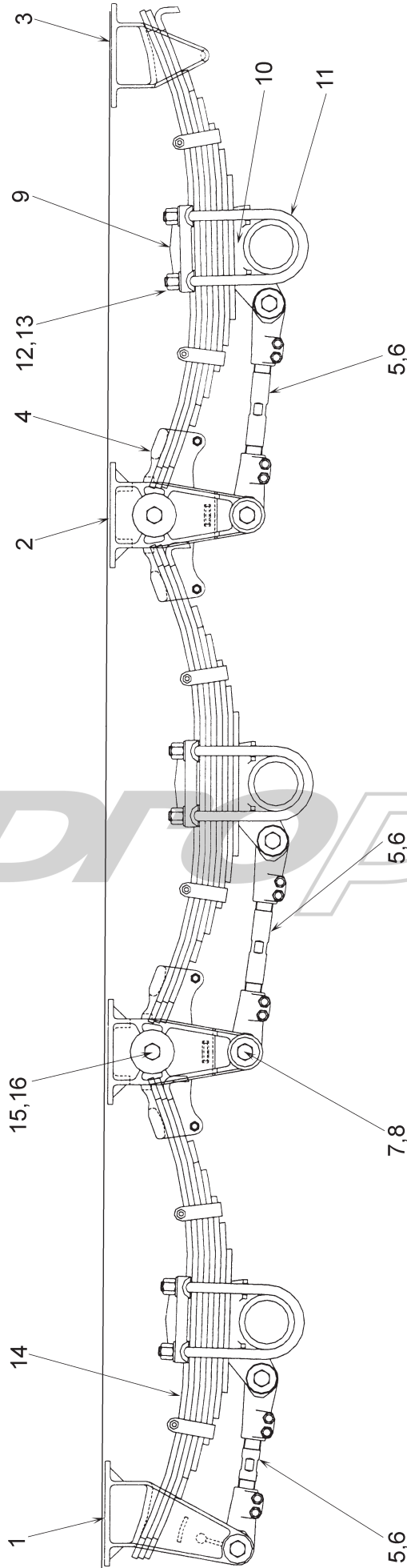
Item	Part Number	Description	Item	Part Number	Description
1	237-00443	Front Hanger	7	203-02150	10 Leaf Spring Pack
2	237-00444	Equaliser Hanger (Centre)		203-01453	9 Leaf Spring Pack
3	237-00445	Rear Hanger	8	161-07021	3 Leaf Spring Pack
4	FQ1156	Equaliser Rocker suit 8'1" Spread	9	237-00447	Axle Saddle / Spring Seat
	FQ1166	Equaliser Rocker suit 9'1" Spread	10	FQ8120	U Bolt 12" x 5" x 3/4"
	FQ1175	Equaliser Rocker suit 10'1" Spread	11	FQ1458	U Bolt Washer 3/4"
5	237-00456	Fixed Torque Rod - 432mm Ctrs suit 8'1" (Also used on front axle of 9'1" & 10'1")	12	FQ1459	U Bolt Nut 3/4"
	237-00455	Fixed Torque Rod - 505mm Ctrs suit 9'1"	13	FQ0153-18	Bolt 5/8" UNF x 5 1/2"
	203-02542	Fixed Torque Rod - 600mm Ctrs suit 10'1"	14	FQ0158	Nut 5/8" UNF Nyloc
6	FQ1375	L/H End suit Adjustable Torque Rod	15	FQ1201	Equaliser Pin
	FQ1376	R/H End suit Adjustable Torque Rod	16	FQ1101	Equaliser Bushes
	FQ1362	Adjustable Screw suit 8'1" Spread (Also used on front axle of 9'1" & 10'1")	17	FQ1401	Torque Rod Bolt
	FQ1364	Adjustable Screw suit 9'1" Spread	18	FQ1301	Torque Rod Bushes
	FQ1366	Adjustable Screw suit 10'1" Spread		237-00329	U Bolt Plate

# Freighter VE50 Underslung Suspension



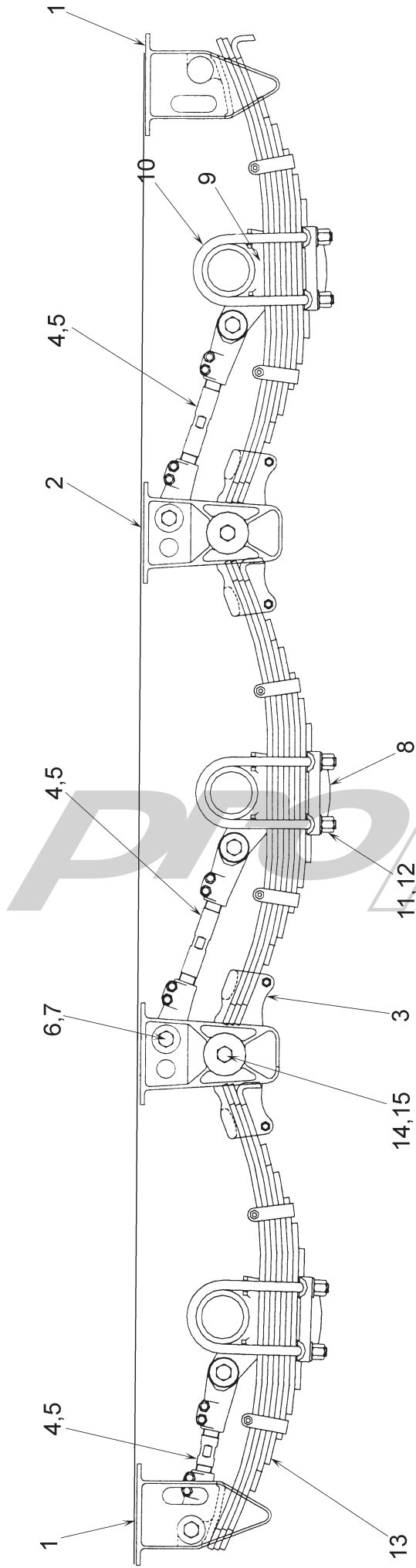
Item	Part Number	Description	Item	Part Number	Description
1	237-00443	Front Hanger	7	203-02150	10 Leaf Spring Pack
2	237-00444	Equaliser Hanger (Centre)		203-01453	9 Leaf Spring Pack
3	237-00445	Rear Hanger	8	161-07021	3 Leaf Spring Pack
4	FQ1156	Equaliser Rocker suit 8'1" Spread		237-00459	Torque Rod Bracket / Spring Seat
	FQ1166	Equaliser Rocker suit 9'1" Spread	9	FQ8120	U Bolt 12" x 5" x 3/4"
	FQ1175	Equaliser Rocker suit 10'1" Spread	10	FQ1458	U Bolt Washer 3/4"
5	237-00456	Fixed Torque Rod - 432mm Ctrs suit 8'1" (Also used on front axle of 9'1" & 10'1")	11	FQ1459	U Bolt Nut 3/4"
	237-00455	Fixed Torque Rod - 505mm Ctrs suit 9'1"	12	FQ0153-18	Bolt 5/8" UNF x 5 1/2"
	203-02542	Fixed Torque Rod - 600mm Ctrs suit 10'1"	13	FQ0158	Nut 5/8" UNF Nyloc
6	FQ1375	L/H End suit Adjustable Torque Rod	14	FQ1201	Equaliser Pin
	FQ1376	R/H End suit Adjustable Torque Rod	15	FQ1101	Equaliser Bushes
	FQ1362	Adjustable Screw suit 8'1" Spread (Also used on front axle of 9'1" & 10'1")	16	FQ1401	Torque Rod Bolt
	FQ1364	Adjustable Screw suit 9'1" Spread	17	FQ1301	Torque Rod Bushes
	FQ1366	Adjustable Screw suit 10'1" Spread	18	237-00407	Axle Saddle

# York, Mateco, Sinclair Overslung Suspension



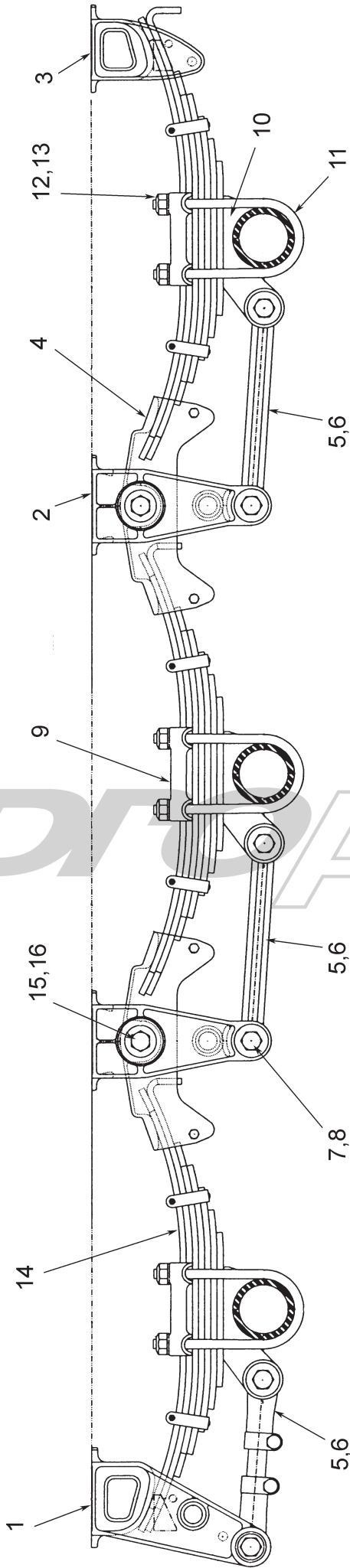
Item	Part Number	Description	Item	Part Number	Description
1	SF0022	Front Hanger	7	FQ1368	Adjustable Screw suit 10'1" Spread
2	SF0026	Equaliser Hanger suit 8'1" & 9'1"	8	FQ1401	Torque Rod Bolt
3	SF0032	Equaliser Hanger suit 10'1"	9	FQ1301	Torque Rod Bushes
4	SF0001	Rear Hanger	10	SF0003	Spring Top Plate
5	FQ1151	Equaliser Rocker suit 8'1" Spread	11	SF0027	Axle Saddle
	FQ1162	Equaliser Rocker suit 9'1" Spread	12	FQ8155	U Bolt 14" x 5" x 7/8"
	FQ1171	Equaliser Rocker suit 10'1" Spread	13	FQ1456	U Bolt Washer 7/8"
	SF0029	Fixed Torque Rod - 395mm Ctrs - Front Axle	14	FQ1457	U Bolt Nut 7/8"
	SF0028	Fixed Torque Rod - 495mm Ctrs - 8'1"	15	FQ1470	10 Leaf Spring Pack
	SF0031	Fixed Torque Rod - 565mm Ctrs - 9'1"	16	FQ1475	9 Leaf Spring Pack
	SF0030	Fixed Torque Rod - 470mm Ctrs - 10'1"		FQ1474	8 Leaf Spring Pack
6	FQ1373	L/H End suit Adjustable Torque Rod		787520	3 Leaf Spring Pack
	FQ1374	R/H End suit Adjustable Torque Rod		FQ1201	Equaliser Pin
	FQ1367	Adjustable Screw suit Front Axle		FQ1101	Equaliser Bushes
	FQ1369	Adjustable Screw suit 8'1" Spread			
	FQ1372	Adjustable Screw suit 9'1" Spread			

# York, Mateco, Sinclair Underslung Suspension



Item	Part Number	Description	Item	Part Number	Description
1	SF0037	Front & Rear Hanger	6	FQ1401	Torque Rod Bolt
2	SF0026	Equaliser Hanger suit 8'1"	7	FQ1301	Torque Rod Bushes
3	SF0032	Equaliser Hanger suit 9'1" & 10'1"	8	SF0003	Spring Bottom Plate
4	FQ1151	Equaliser Rocker suit 8'1" Spread	9	SF0027	Axle Saddle
	FQ1162	Equaliser Rocker suit 9'1" Spread	10	FQ8155	U Bolt 14" x 5" x 7/8"
	FQ1171	Equaliser Rocker suit 10'1" Spread	11	FQ1456	U Bolt Washer 7/8"
	SF0039	Fixed Torque Rod - 380mm Ctrs suit Front Axle	12	FQ1457	U Bolt Nut 7/8"
	SF0030	Fixed Torque Rod - 470mm Ctrs suit 8'1" & 10'1"	13	FQ1470	10 Leaf Spring Pack
	SF0029	Fixed Torque Rod - 395mm Ctrs suit 9'1"		FQ1475	9 Leaf Spring Pack
5	FQ1373	L/H End suit Adjustable Torque Rod		FQ1474	8 Leaf Spring Pack
	FQ1374	R/H End suit Adjustable Torque Rod		787520	3 Leaf Spring Pack
	FQ1367	Adjustable Screw suit Front Axle	14	FQ1201	Equaliser Pin
	FQ1368	Adjustable Screw suit 8'1" & 10'1" Spread	15	FQ1101	Equaliser Bushes
	FQ1367	Adjustable Screw suit 9'1" Spread			

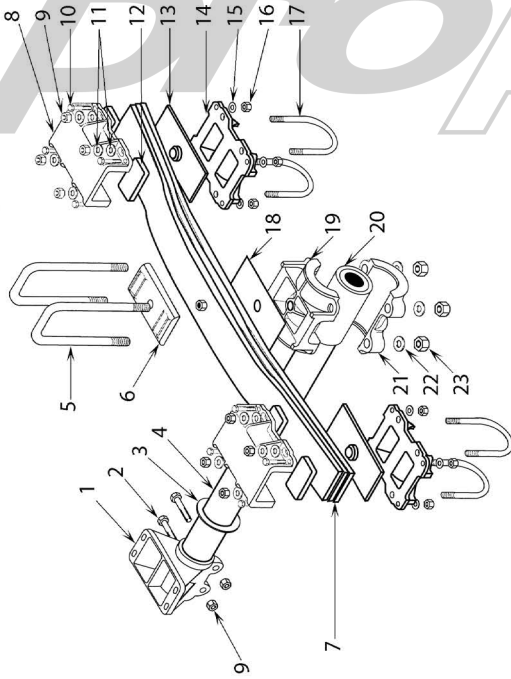
# Reyco 21B Suspension



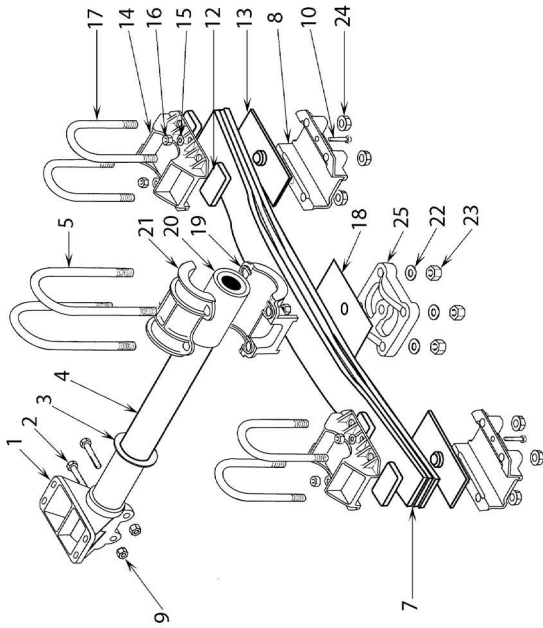
Item	Part Number	Description	Item	Part Number	Description
1	SF0054	Front Hanger	9	SF0003	Spring Top Plate
2	SF0056	Equaliser Hanger	10	SF0057	Axle Saddle
3	SF0055	Rear Hanger	11	FQ8155	U Bolt 14" x 5" x 7/8"
4	FQ1155	Equaliser Rocker	12	FQ1456	U Bolt Washer 7/8"
5	T7635	Fixed Torque Rod - 412mm Ctrs suit Front Axle	13	FQ1457	U Bolt Nut 7/8"
	T2293	Fixed Torque Rod - 480mm Ctrs suit Centre & Rear Axle	14	FQ1474	8 Leaf Spring Pack
6	SF0058L	L/H End suit Adjustable Torque Rod		0079-01	3 Leaf Spring Pack - Hi Arch - Front & Rear
	SF0058R	R/H End suit Adjustable Torque Rod		0329-00	3 Leaf Spring Pack - Hi Arch - Centre
	FQ1367	Adjustable Rod Screw suit Front Axle		0079-02	3 Leaf Spring Pack - Low Arch - Front & Rear
	FQ1368	Adjustable Rod Screw suit Centre & Rear Axle	15	0335-00	3 Leaf Spring Pack - Low Arch - Centre
7	FQ1415	Torque Rod Bolt		FQ1210	Equaliser Pin
8	FQ1311	Torque Rod Bushes	16	FQ1110	Equaliser Bushes

# Hutch H900 Single Point Suspension

**Overslung Trunnion – Overslung Axle**



**Underslung Trunnion – Underslung Axle**



Item	Part Number	Description	Item	Part Number	Description
1	161-08017	Trunnion Hanger - 64mm High	14	161-08023	Spring Seat - Underslung
2	161-08020	Trunnion Hanger - 216mm High - Optional	15	161-08033	Spring Seat - Overslung
3	FQ0154-14	Hex Bolt 3/4" UNF x 4 1/2"	16	FQ0171	Washer 5/8"
4	161-08015	Washer - Trunnion	17	FQ0158	Nut - Nylock - 5/8" UNF
5	161-08018	Tube - Trunnion	19	FQ8165	U Bolt - Axle - 10 1/2" x 5" x 1" - Underslung
6	161-08010	U Bolts - Trunnion - 14" x 5" x 1 1/8" - O/S	20	FQ8115	U Bolt - Axle - 7 1/2" x 5" x 3/4" - Overslung
7	161-08027	U Bolts - Trunnion - 15" x 5" x 1 1/8" - U/S	19	161-08008	Trunnion Hub - Upper - O/S or Lower - U/S
8	161-08007	Top Plate - Overslung	20	161-08014	Trunnion Bush - Rubber
9	161-08002	Spring Assembly - 50,000 LB.	21	161-08014U	Trunnion Bush - Urethane
10	161-08031	Spring End Cap - Overslung	21	161-08009	Trunnion Hub - Lower - O/S or Upper - U/S
11	FQ1459	Spring End Cap - Underslung	22	161-08012	U Bolt Washer - 1 1/8" suit Trunnion U Bolts
12	FQ0153-4	U Bolt Nut - 3/4" suit Overslung Axle	23	FQ1460	U Bolt Nut - 1 1/8" suit Trunnion U Bolts
13	FQ1458	Bolt - 5/8" UNF x 2"	24	FQ1263	U Bolt Flange Nut - 1" suit Underslung Axle U Bolts
	161-08003	U Bolt Washer 3/4" suit Overslung Axle	25	161-08025	Spring Clamp Plate
	161-08029	Rubber Pad			
		Adjustment Plate			